

## IP CallBox

### BRANCH

The **IPCallBox Branch Plus** is an advanced solution that combines intelligent call routing and IP data routing with standards-based Voice over IP (VoIP) technology. Designed to ensure reliability, the unit has built in backup capabilities to ensure calls are safely delivered to their destination.

The **IPCallBox Branch Plus** has an integral H.323 gateway function that can be used to convert and compress up to 8 calls into VoIP packetised traffic for transmission via any available IP network connection.

Incorporating our market leading Least Cost Routing engine allows the **IPCallBox Branch Plus** to intelligently route traffic to the appropriate destination over IP or through dial up ISDN.

Capable of operating with 1000+ statically configured gateways or using one or more H.323 gatekeepers, the **IPCallBox Branch Plus** is ideal for forming Virtual Private Networks over Broadband IP connections with the capability to deliver "off net" calls directly to an alternative carrier's telephony IP backbone.

The **IPCallBox Branch Plus** can handle 8 simultaneous outgoing or incoming VoIP calls over the WAN or LAN connection or up to 6 simultaneous VoIP calls over a PPP connection on an ISDN B channel. The WAN based VoIP calls can be connected to an IP backbone through any existing IP router connection such as ADSL, satellite IP or wireless.

In addition, the **IPCallBox Branch Plus** has the capability to automatically "back up" the VoIP calls over a dial up PPP connection on the ISDN should the WAN IP link fail.

The built in IP Router and NAT engine allows the WAN link to be shared between VoIP and normal IP data traffic providing a true converged voice and data solution.



The optional addition of IPSec Encryption provides an ideal solution for Enterprise networks operating over Broadband connections and public IP backbones such as the Internet.

The **IPCallBox Branch Plus** is an ideal customer premises unit for alternative carriers looking for a migration path to standards-based packetised voice solutions or corporate users looking to establish Enterprise or Virtual Private networks across broadband IP connections such as ADSL or Satellite IP.

The **IPCallBox Branch Plus** intelligently directs outbound calls from the PABX to the lowest cost route. Voice traffic can be compressed and packetised using VoIP and sent via the WAN or LAN interface, or multiple VoIP calls may also be sent over an ISDN bearer channel to a remote network to reduce call costs.

Incoming calls are routed directly to the PABX. The **IPCallBox Branch Plus** can autonomously establish an IP over PPP over ISDN Backup call in the event of a WAN or intermediate IP backbone failure

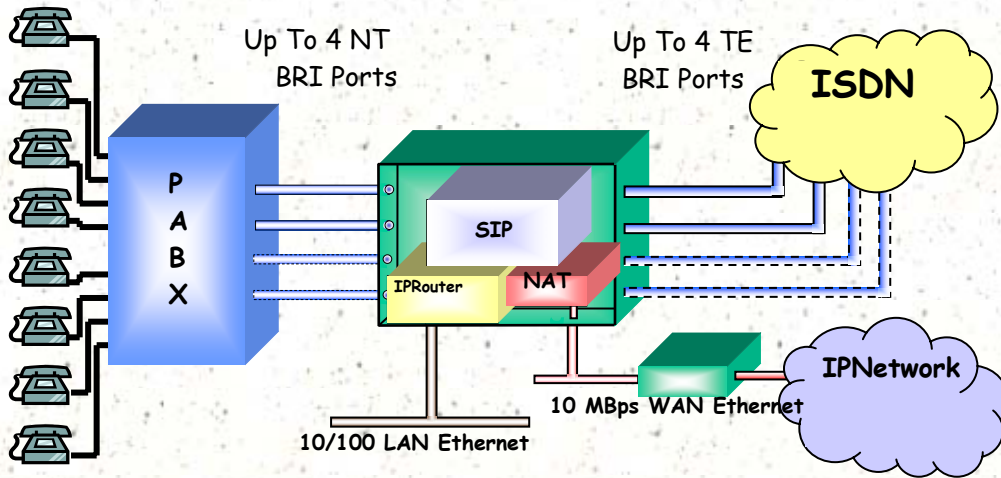
The **IPCallBox Branch** is equipped with two Network facing (TE) Basic Rate Interfaces and two terminal facing (NT) interfaces and two that are software configurable to be TE or NT, giving a unique level of flexibility for many different applications.



**"Intelligent solutions from Axtan"**

**[www.axtan.co.uk](http://www.axtan.co.uk)  
[sales@axtan.co.uk](mailto:sales@axtan.co.uk)**

# IP CallBox



## Technical Specification

Network Interfaces	2 x Basic Rate S/T Network interfaces (TE) , RJ-45 connection
Terminal Interfaces	2 x Basic Rate S/T Terminal interfaces (NT) , RJ-45 connection
Configurable Interfaces	2 x Basic Rate S/T Software Configurable interfaces (NT or TE) RJ-45 connection
LAN Interfaces	1 x LAN Ethernet 10/100Mbps
WAN Interfaces	1 x WAN Ethernet 10 Mbps
Local Management	Serial Interface V.24/V.28 via RJ-12 or Telnet based through LAN interface
Protocols supported:	H.323/SIP; G.711 A-Law, u-Law; G.729A; G.723.1; H.225.0; H.245, H.235 Security, T.38 Fax support, Open Settlement Protocol (OSP), TCP/IP; UDP/IP; RTP; PPP; HTTP, Telnet, SNMP, RIP1, RIP2, NAT, DHCP Server & Client, IPSec, IKE Q.931 Euro-ISDN. Supports Point-to-Point and Point-to-MultiPoint lines and auto-configures to line type.
Other Features	Advice of Charge (AOC-D, AOC-E), Call Detail Records output Over IP
Power	External power supply to suit local power outlets (7.5 watts) Line Power option available for terminal facing BRI interfaces
Size	220mm (w) x 222mm(d) x 37mm (h) Wall or desk or Rack mounting, 19" rack shelf available
Weight	Approximately 1250 grams
Voice Call Routes	>1000 static destination gateways /routing entries can be stored and can operate with multiple gatekeepers simultaneously.
Support Tools	Java based LAN management station and Graphical routing configuration tools
Remote Management	Fully featured SQL 7.0 based central site management application with secure web browser based access to management system information including reports on call statistics, alerts and full site contact information.

**Axtan Ltd**  
**The Stable Block**  
**Chavey Down Road**    **Phone: +44 1344 899 000**  
**Winkfield Row**        **Fax: +44 1344 899 001**  
**Berkshire, RG42 6LY**    **sales@axtan.co.uk**