

## IP CallBox

### CENTRAL

The **IPCallBox Central** delivers a cost effective, reliable and secure Voice over IP capability to legacy telephony equipment equipped with Primary Rate ISDN interfaces.

Designed to satisfy the demands of carriers and enterprise networks alike, the **IPCallBox Central** has an extensive list of features that make it one of the most flexible and reliable boundary call routers for professional use.

#### Features and Benefits

- Two E1 PRI interfaces with fall through relays and multiple call back up features guarantee reliable operation.
- Supports H.323 Protocol for maximum compatibility with many other gateways and soft switches.
- H.235 and OSP support ensures secure billing and access.
- Built in routing table permits stand-alone operation without gatekeeper.
- Multiple gatekeeper operation permits simultaneous company wide and worldwide call delivery.
- Built-in IP router with NAT and DHCP server gives "one box" solution for voice and data communications from remote sites.
- SNMP management and full remote configuration and monitoring facilitates easy deployment and maintenance.

#### Alternative IP Carriers

The compact unit is easily installable by non-technical staff due to its "in-line" position in an existing ISDN PRI trunk line and its ability to receive its configuration directly through either an IP connection or through the ISDN line from the remote management platform. No configuration or extra trunk cards are required in the PBX and no user re-training is necessary. The **IPCallBox Central** enclosure can be wall mounted, desktop mounted or placed in a 19" rack using the optional twin unit 1U shelf.



#### Enterprise Networks

The **IPCallBox Central** can be used to provide an easy path to VoIP (Voice over IP) connectivity between multiple offices and individual home based workers. Calls between offices can be invisibly diverted across the existing enterprise IP network or the internet to provide considerable savings on call costs.

#### Reliable Connectivity

Automatically allowing calls to fallback across multiple routes, the **IPCallBox Central** ensures that calls connect even under severe network problem conditions, guaranteeing the highest level of connectivity.

#### True Convergence

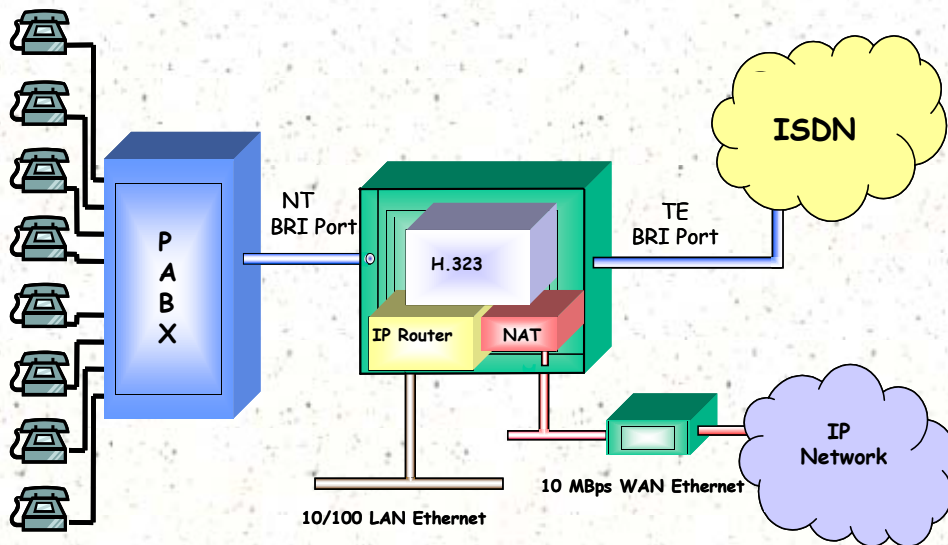
Equipped with two Ethernet ports the **IPCallBox Central** also provides IP routing between an internal IP LAN and an external IP WAN. An integrated DHCP server and NAT capability means the unit can provide both voice and data connectivity to a site in one unit. The IP WAN connection can be a leased line, Wireless LAN, Satellite or any other permanent IP connection.



*"Intelligent solutions from Axtan"*

[www.axtan.co.uk](http://www.axtan.co.uk)  
[sales@axtan.co.uk](mailto:sales@axtan.co.uk)

## IP CallBox



### Technical Specification

4 Options (V8,V16,V24,V30)	Scalable to enable up to 8, 16, 24 or 30 concurrent calls
LAN Interfaces	1 x LAN Ethernet 10/100Mbps
WAN Interfaces	1 x WAN Ethernet 10 Mbps
Local Management	Serial Interface V.24/V.28 via RJ-12 or Telnet based through LAN interface
Protocols supported:	H.323/SIP; G.711 A-Law, u-Law; G.729A; G.723.1; H.225.0; H.245, H.235 Security, T.38 Fax support, Open Settlement Protocol (OSP), TCP/IP; UDP/IP; RTP; PPP; HTTP, Telnet, SNMP, RIP1, RIP2, NAT, DHCP Server & Client, IPSec, IKE Q.931 Euro-ISDN
Other Features	Advice of Charge (AOC-D, AOC-E), Call Detail Records output Over IP
Power	External power supply to suit local power outlets (7.5 watts)
Size	220mm (w) x 222mm(d) x 37mm (h) Wall or desk or Rack mounting, 19" rack shelf available
Weight	Approximately 1250 grams
Voice Call Routes	>1000 static destination gateways /routing entries can be stored and can operate with multiple gatekeepers simultaneously.
Support Tools	Java based LAN management station and Graphical routing configuration tools
Remote Management	Fully featured SQL 7.0 based central site management application with secure web browser based access to management system information including reports on call statistics, alerts and full site contact information.

**Axtan Ltd**  
**The Stable Block**  
**Chavey Down Road Phone: +44 1344 899 000**  
**Winkfield Row Fax: +44 1344 899 001**  
**Berkshire, RG42 6LY sales@axtan.co.uk**